

Cloud Tools Overview

Hadoop

Outline

- Hadoop - Basics
- HDFS
 - Goals
 - Architecture
 - Other functions
- MapReduce
 - Basics
 - Word Count Example
 - Handy tools
 - Finding shortest path example
- Related Apache sub-projects (Pig, HBase, Hive)

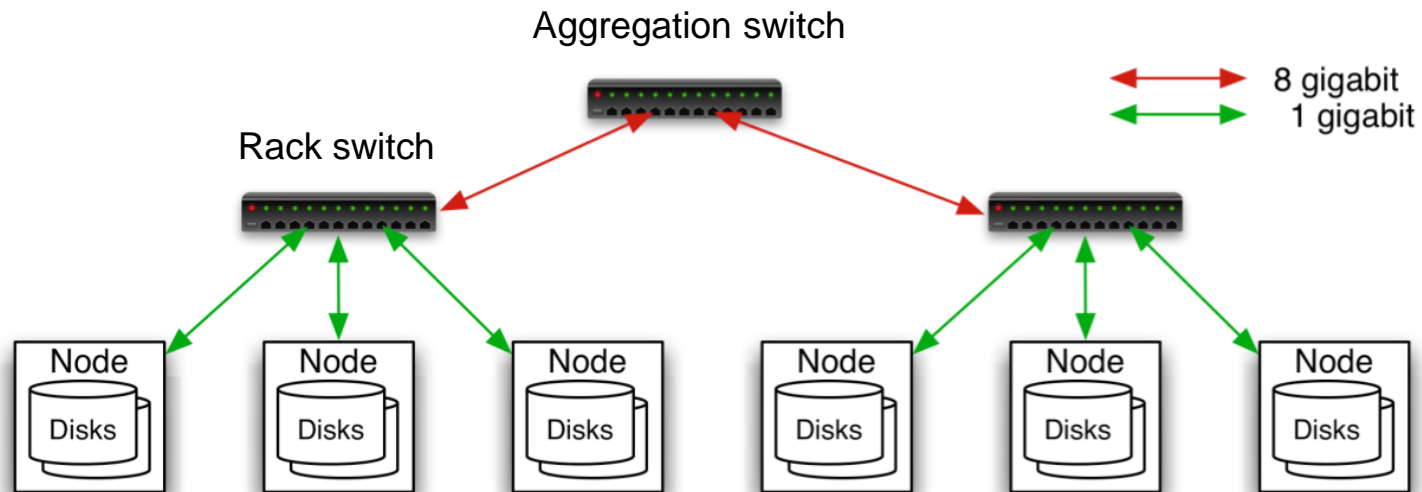
Hadoop - Why ?

- Need to process huge datasets on large clusters of computers
- Very expensive to build reliability into each application
- Nodes fail every day
 - Failure is expected, rather than exceptional
 - The number of nodes in a cluster is not constant
- Need a common infrastructure
 - Efficient, reliable, easy to use
 - Open Source, Apache Licence

Who uses Hadoop?

- Amazon/A9
- Facebook
- Google
- New York Times
- Veoh
- Yahoo!
- many more

Commodity Hardware



- Typically in 2 level architecture
 - Nodes are commodity PCs
 - 30-40 nodes/rack
 - Uplink from rack is 3-4 gigabit
 - Rack-internal is 1 gigabit

Hadoop Distributed File System (HDFS)

Original Slides by
Dhruba Borthakur

Apache Hadoop Project Management Committee

Goals of HDFS

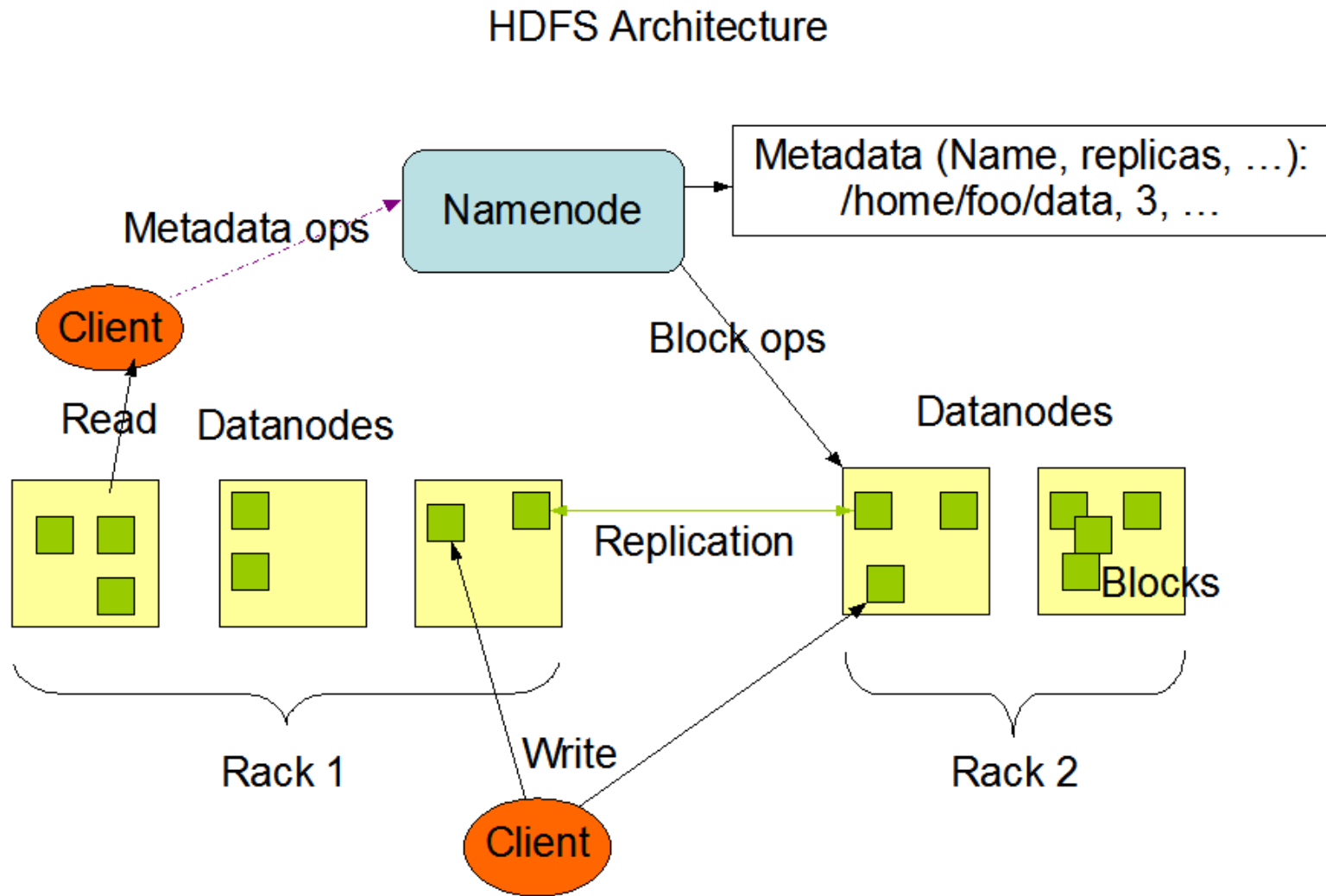
- Very Large Distributed File System
 - 10K nodes, 100 million files, 10PB
- Assumes Commodity Hardware
 - Files are replicated to handle hardware failure
 - Detect failures and recover from them
- Optimized for Batch Processing
 - Data locations exposed so that computations can move to where data resides
 - Provides very high aggregate bandwidth



Distributed File System

- Single Namespace for entire cluster
- Data Coherency
 - Write-once-read-many access model
 - Client can only append to existing files
- Files are broken up into blocks
 - Typically 64MB block size
 - Each block replicated on multiple DataNodes
- Intelligent Client
 - Client can find location of blocks
 - Client accesses data directly from DataNode

HDFS Architecture



Functions of a NameNode

- **Manages File System Namespace**
 - Maps a file name to a set of blocks
 - Maps a block to the DataNodes where it resides
- **Cluster Configuration Management**
- **Replication Engine for Blocks**

NameNode Metadata

- Metadata in Memory
 - The entire metadata is in main memory
 - No demand paging of metadata
- Types of metadata
 - List of files
 - List of Blocks for each file
 - List of DataNodes for each block
 - File attributes, e.g. creation time, replication factor
- A Transaction Log
 - Records file creations, file deletions etc

DataNode

- A Block Server
 - Stores data in the local file system (e.g. ext3)
 - Stores metadata of a block (e.g. CRC)
 - Serves data and metadata to Clients
- Block Report
 - Periodically sends a report of all existing blocks to the NameNode
- Facilitates Pipelining of Data
 - Forwards data to other specified DataNodes

Block Placement

- Current Strategy
 - One replica on local node
 - Second replica on a remote rack
 - Third replica on same remote rack
 - Additional replicas are randomly placed
- Clients read from nearest replicas
- Would like to make this policy pluggable

Heartbeats

- DataNodes send heartbeat to the NameNode
 - Once every 3 seconds
- NameNode uses heartbeats to detect DataNode failure

Replication Engine

- NameNode detects DataNode failures
 - Chooses new DataNodes for new replicas
 - Balances disk usage
 - Balances communication traffic to DataNodes

Data Correctness

- Use Checksums to validate data
 - Use CRC32
- File Creation
 - Client computes checksum per 512 bytes
 - DataNode stores the checksum
- File access
 - Client retrieves the data and checksum from DataNode
 - If Validation fails, Client tries other replicas

NameNode Failure

- A single point of failure
- Transaction Log stored in multiple directories
 - A directory on the local file system
 - A directory on a remote file system (NFS/CIFS)
- Need to develop a real HA solution

Data Pieplining

- Client retrieves a list of DataNodes on which to place replicas of a block
- Client writes block to the first DataNode
- The first DataNode forwards the data to the next node in the Pipeline
- When all replicas are written, the Client moves on to write the next block in file

Rebalancer

- Goal: % disk full on DataNodes should be similar
 - Usually run when new DataNodes are added
 - Cluster is online when Rebalancer is active
 - Rebalancer is throttled to avoid network congestion
 - Command line tool

Secondary NameNode

- Copies FsImage and Transaction Log from Namenode to a temporary directory
- Merges FSImage and Transaction Log into a new FSImage in temporary directory
- Uploads new FSImage to the NameNode
 - Transaction Log on NameNode is purged

User Interface

- **Commads for HDFS User:**
 - `hadoop dfs -mkdir /foodir`
 - `hadoop dfs -cat /foodir/myfile.txt`
 - `hadoop dfs -rm /foodir/myfile.txt`
- **Commands for HDFS Administrator**
 - `hadoop dfsadmin -report`
 - `hadoop dfsadmin -decommision datanodename`
- **Web Interface**
 - `http://host:port/dfshealth.jsp`

MapReduce

Original Slides by
Owen O'Malley (Yahoo!)

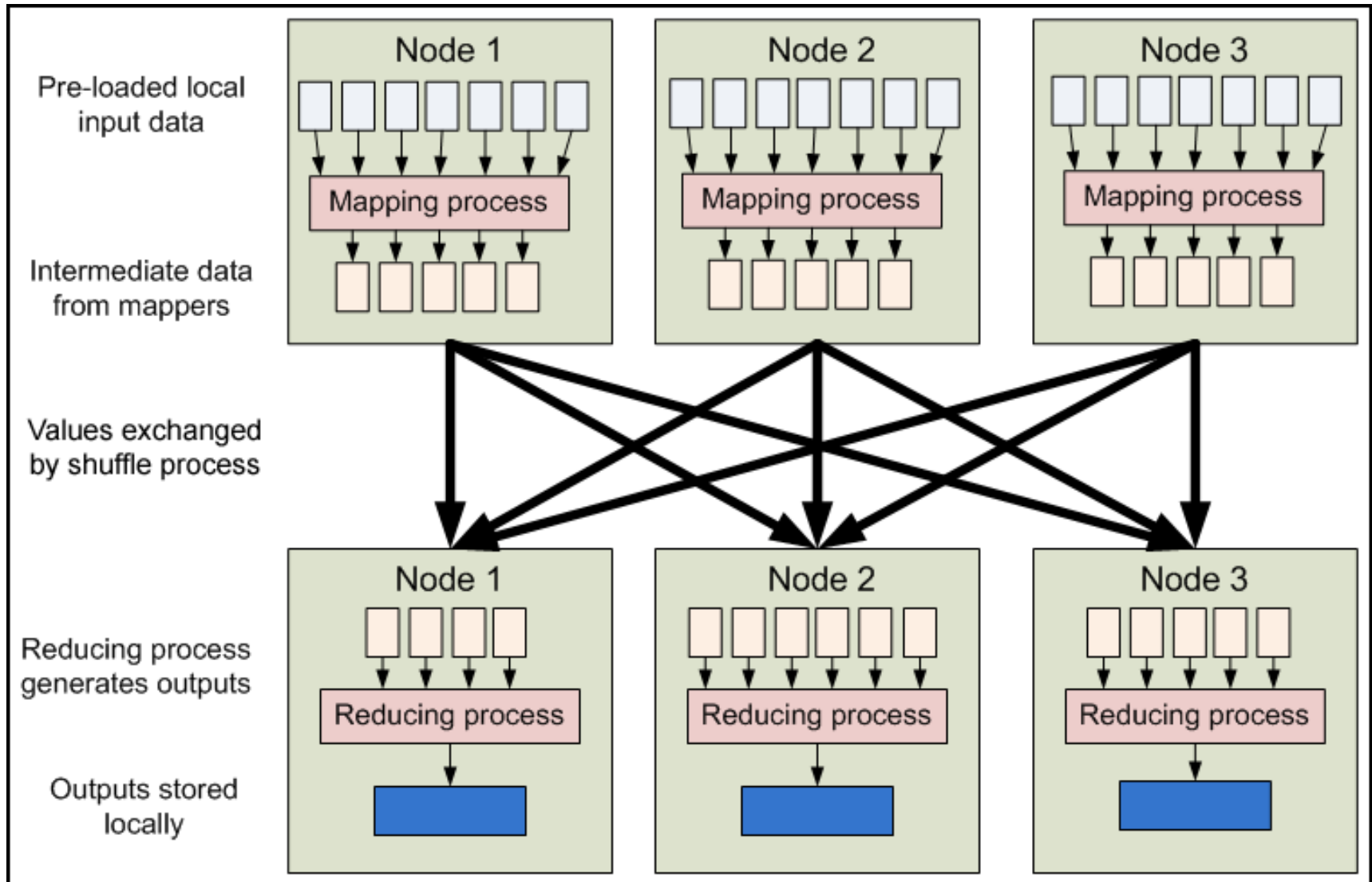
&

Christophe Bisciglia, Aaron Kimball & Sierra Michells-Slettvet

MapReduce - What?

- MapReduce is a programming model for efficient distributed computing
- It works like a Unix pipeline
 - `cat input | grep | sort | uniq -c | cat > output`
 - **Input** | **Map** | **Shuffle & Sort** | **Reduce** | **Output**
- Efficiency from
 - Streaming through data, reducing seeks
 - Pipelining
- A good fit for a lot of applications
 - Log processing
 - Web index building

MapReduce - Dataflow



MapReduce - Features

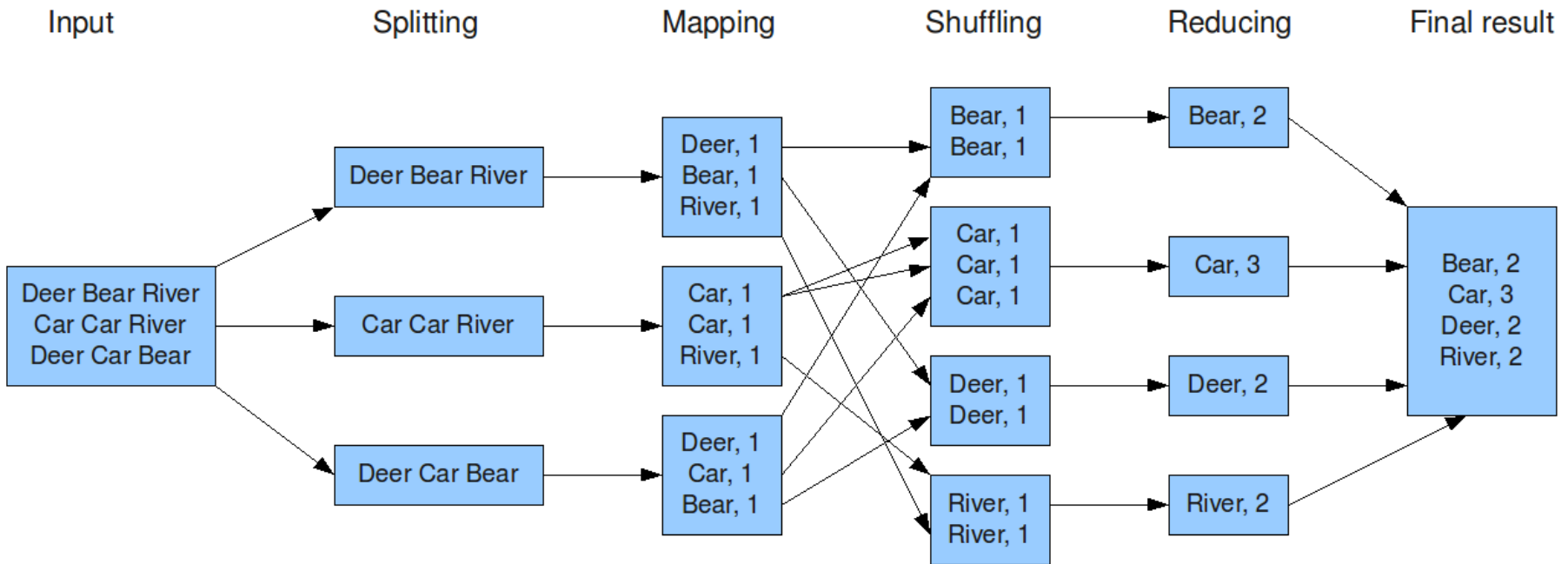
- Fine grained Map and Reduce tasks
 - Improved load balancing
 - Faster recovery from failed tasks
- Automatic re-execution on failure
 - In a large cluster, some nodes are always slow or flaky
 - Framework re-executes failed tasks
- Locality optimizations
 - With large data, bandwidth to data is a problem
 - Map-Reduce + HDFS is a very effective solution
 - Map-Reduce queries HDFS for locations of input data
 - Map tasks are scheduled close to the inputs when possible

Word Count Example

- Mapper
 - Input: value: lines of text of input
 - Output: key: word, value: 1
- Reducer
 - Input: key: word, value: set of counts
 - Output: key: word, value: sum
- Launching program
 - Defines this job
 - Submits job to cluster

Word Count Dataflow

The overall MapReduce word count process



Word Count Mapper

```
public static class Map extends MapReduceBase implements  
    Mapper<LongWritable, Text, Text, IntWritable> {  
    private static final IntWritable one = new IntWritable(1);  
    private Text word = new Text();  
  
    public static void map(LongWritable key, Text value,  
        OutputCollector<Text, IntWritable> output, Reporter reporter) throws  
        IOException {  
        String line = value.toString();  
        StringTokenizer = new StringTokenizer(line);  
        while(tokenizer.hasNext()) {  
            word.set(tokenizer.nextToken());  
            output.collect(word, one);  
        }  
    }  
}
```

Word Count Reducer

```
public static class Reduce extends MapReduceBase implements  
    Reducer<Text,IntWritable,Text,IntWritable> {  
public static void map(Text key, Iterator<IntWritable> values,  
    OutputCollector<Text,IntWritable> output, Reporter reporter) throws  
    IOException {  
    int sum = 0;  
    while(values.hasNext()) {  
        sum += values.next().get();  
    }  
    output.collect(key, new IntWritable(sum));  
    }  
}
```

Word Count Example

- Jobs are controlled by configuring *JobConf*s
- JobConf is a map from attribute names to string values
- The framework defines attributes to control how the job is executed
 - `conf.set("mapred.job.name", "MyApp");`
- Applications can add arbitrary values to the JobConf
 - `conf.set("my.string", "foo");`
 - `conf.set("my.integer", 12);`
- JobConf is available to all tasks

Putting it all together

- Create a launching program for your application
- The launching program configures:
 - The *Mapper* and *Reducer* to use
 - The output key and value types (input types are inferred from the *InputFormat*)
 - The locations for your input and output
- The launching program then submits the job and typically waits for it to complete

Putting it all together

```
JobConf conf = new JobConf(WordCount.class);  
conf.setJobName("wordcount");
```

```
conf.setOutputKeyClass(Text.class);  
conf.setOutputValueClass(IntWritable.class);
```

```
conf.setMapperClass(Map.class);  
conf.setCombinerClass(Reduce.class);  
conf.setReducer(Reduce.class);
```

```
conf.setInputFormat(TextInputFormat.class);  
Conf.setOutputFormat(TextOutputFormat.class);
```

```
FileInputFormat.setInputPaths(conf, new Path(args[0]));  
FileOutputFormat.setOutputPath(conf, new Path(args[1]));
```

```
JobClient.runJob(conf);
```

Input and Output Formats

- A Map/Reduce may specify how it's input is to be read by specifying an *InputFormat* to be used
- A Map/Reduce may specify how it's output is to be written by specifying an *OutputFormat* to be used
- These default to *TextInputFormat* and *TextOutputFormat*, which process line-based text data
- Another common choice is *SequenceFileInputFormat* and *SequenceFileOutputFormat* for binary data
- These are file-based, but they are not required to be

How many Maps and Reduces

- Maps
 - Usually as many as the number of HDFS blocks being processed, this is the default
 - Else the number of maps can be specified as a hint
 - The number of maps can also be controlled by specifying the *minimum split size*
 - The actual sizes of the map inputs are computed by:
 - $\max(\min(\text{block_size}, \text{data}/\#\text{maps}), \text{min_split_size})$
- Reduces
 - Unless the amount of data being processed is small
 - $0.95 * \text{num_nodes} * \text{mapred.tasktracker.tasks.maximum}$

Some handy tools

- Partitioners
- Combiners
- Compression
- Counters
- Speculation
- Zero Reduces
- Distributed File Cache
- Tool

Partitioners

- Partitioners are application code that define how keys are assigned to reduces
- Default partitioning spreads keys evenly, but randomly
 - Uses *key.hashCode() % num_reduces*
- Custom partitioning is often required, for example, to produce a total order in the output
 - Should implement *Partitioner* interface
 - Set by calling `conf.setPartitionerClass(MyPart.class)`
 - To get a total order, sample the map output keys and pick values to divide the keys into roughly equal buckets and use that in your partitioner

Combiners

- When *maps* produce many repeated keys
 - It is often useful to do a local aggregation following the *map*
 - Done by specifying a *Combiner*
 - Goal is to decrease size of the transient data
 - Combiners have the same interface as Reduces, and often are the same class
 - Combiners must **not** side effects, because they run an intermediate number of times
 - In *WordCount*, `conf.setCombinerClass(Reduce.class);`

Compression

- Compressing the outputs and intermediate data will often yield huge performance gains
 - Can be specified via a configuration file or set programmatically
 - Set `mapred.output.compress` to `true` to compress job output
 - Set `mapred.compress.map.output` to `true` to compress map outputs
- Compression Types (`mapred(.map)?.output.compression.type`)
 - “block” - Group of keys and values are compressed together
 - “record” - Each value is compressed individually
 - Block compression is almost always best
- Compression Codecs (`mapred(.map)?.output.compression.codec`)
 - Default (zlib) - slower, but more compression
 - LZO - faster, but less compression

Counters

- Often Map/Reduce applications have countable events
- For example, framework counts records in to and out of Mapper and Reducer
- To define user counters:
static enum Counter {EVENT1, EVENT2};
reporter.incrCounter(Counter.EVENT1, 1);
- Define nice names in a MyClass_Counter.properties file
CounterGroupName=MyCounters
EVENT1.name=Event 1
EVENT2.name=Event 2

Speculative execution

- The framework can run multiple instances of slow tasks
 - Output from instance that finishes first is used
 - Controlled by the configuration variable *mapred.speculative.execution*
 - Can dramatically bring in long tails on jobs

Zero Reduces

- Frequently, we only need to run a filter on the input data
 - No sorting or shuffling required by the job
 - Set the number of reduces to 0
 - Output from maps will go directly to OutputFormat and disk

Distributed File Cache

- Sometimes need read-only copies of data on the local computer
 - Downloading 1GB of data for each Mapper is expensive
- Define list of files you need to download in JobConf
- Files are downloaded once per computer
- Add to launching program:

```
DistributedCache.addCacheFile(new URI("hdfs://nn:8020/foo"),  
    conf);
```
- Add to task:

```
Path[] files = DistributedCache.getLocalCacheFiles(conf);
```

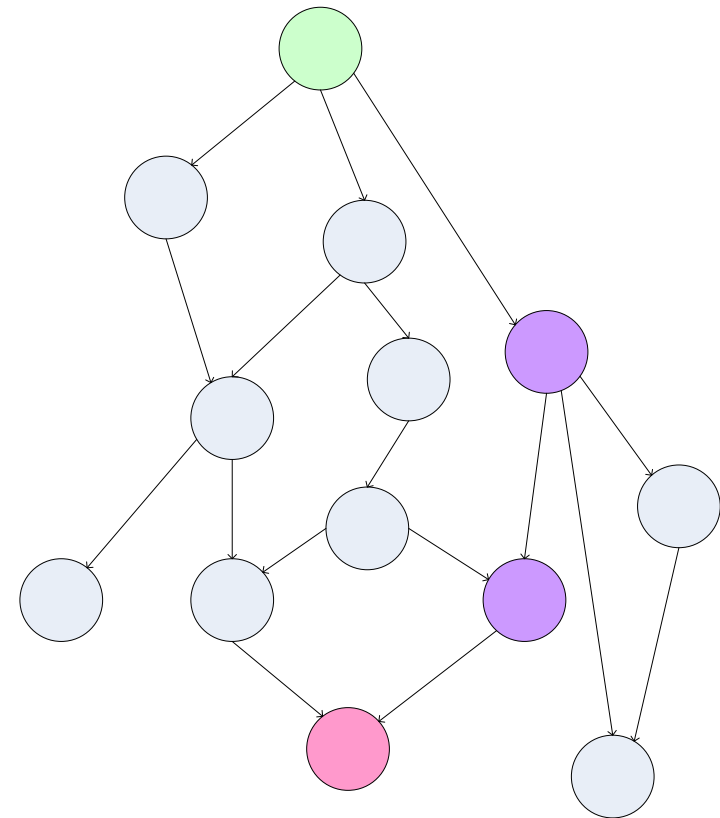
Tool

- Handle “standard” Hadoop command line options
 - -conf file - load a configuration file named file
 - -D prop=value - define a single configuration property prop
- Class looks like:

```
public class MyApp extends Configured implements Tool {  
    public static void main(String[] args) throws Exception {  
        System.exit(ToolRunner.run(new Configuration(),  
            new MyApp(), args));  
    }  
    public int run(String[] args) throws Exception {  
        .... getConf() ....  
    }  
}
```

Finding the Shortest Path

- A common graph search application is finding the shortest path from a start node to one or more target nodes
- Commonly done on a single machine with *Dijkstra's Algorithm*
- Can we use BFS to find the shortest path via MapReduce?



Finding the Shortest Path: Intuition

- We can define the solution to this problem inductively
 - $\text{DistanceTo}(\text{startNode}) = 0$
 - For all nodes n directly reachable from startNode ,
 $\text{DistanceTo}(n) = 1$
 - For all nodes n reachable from some other set of nodes S ,
 $\text{DistanceTo}(n) = 1 + \min(\text{DistanceTo}(m), m \in S)$

From Intuition to Algorithm

- A map task receives a node n as a key, and $(D, \text{points-to})$ as its value
 - D is the distance to the node from the start
 - points-to is a list of nodes reachable from n
- $\forall p \in \text{points-to}, \text{emit}(p, D+1)$
- Reduces task gathers possible distances to a given p and selects the minimum one

What This Gives Us

- This MapReduce task can advance the known frontier by one hop
- To perform the whole BFS, a non-MapReduce component then feeds the output of this step back into the MapReduce task for another iteration
 - Problem: Where'd the *points-to* list go?
 - Solution: Mapper emits $(n, \textit{points-to})$ as well

Blow-up and Termination

- This algorithm starts from one node
- Subsequent iterations include many more nodes of the graph as the frontier advances
- Does this ever terminate?
 - Yes! Eventually, routes between nodes will stop being discovered and no better distances will be found. When distance is the same, we stop
 - Mapper should emit (n, D) to ensure that “current distance” is carried into the reducer

Hadoop Subprojects

Hadoop Related Subprojects

- Pig
 - High-level language for data analysis
- HBase
 - Table storage for semi-structured data
- Zookeeper
 - Coordinating distributed applications
- Hive
 - SQL-like Query language and Metastore
- Mahout
 - Machine learning

Pig

Original Slides by
Matei Zaharia
UC Berkeley RAD Lab

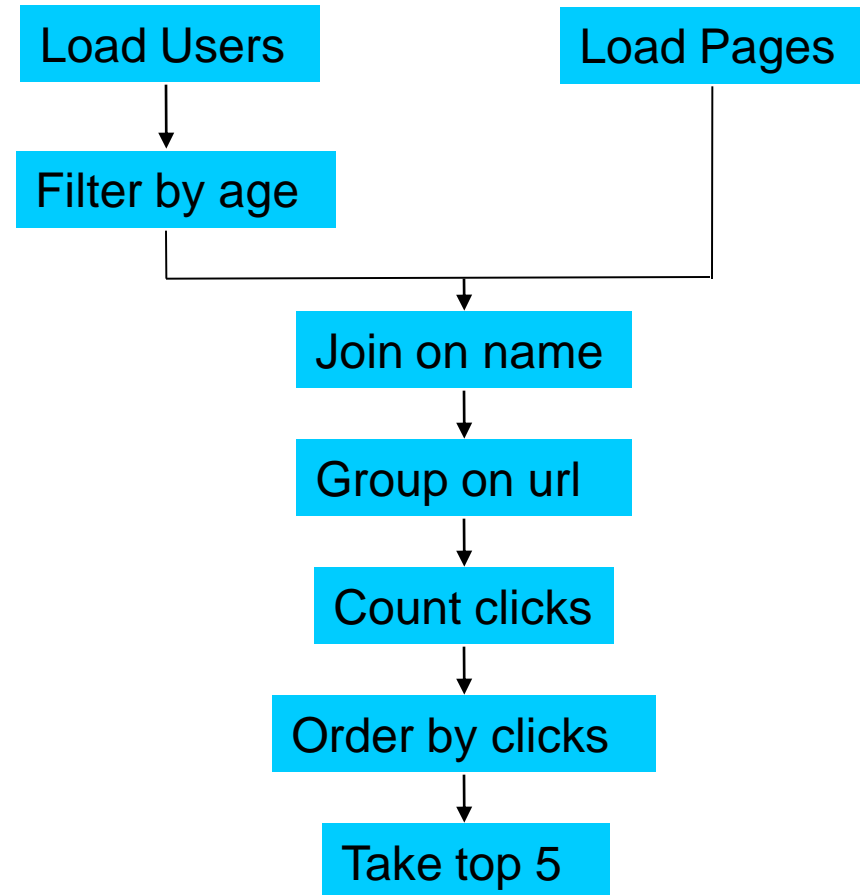
Pig

- Started at Yahoo! Research
- Now runs about 30% of Yahoo!'s jobs
- Features
 - Expresses sequences of MapReduce jobs
 - Data model: nested “bags” of items
 - Provides relational (SQL) operators (JOIN, GROUP BY, etc.)
 - Easy to plug in Java functions



An Example Problem

- Suppose you have user data in a file, website data in another, and you need to find the top 5 most visited pages by users aged 18-25



In MapReduce

```
import java.io.IOException;
import java.util.ArrayList;
import java.util.Iterator;
import java.util.List;

import org.apache.hadoop.fs.Path;
import org.apache.hadoop.io.LongWritable;
import org.apache.hadoop.io.Text;
import org.apache.hadoop.io.Writable;
import org.apache.hadoop.io.WritableComparable;
import org.apache.hadoop.mapred.FileInputFormat;
import org.apache.hadoop.mapred.FileOutputFormat;
import org.apache.hadoop.mapred.JobConf;
import org.apache.hadoop.mapred.KeyValueTextInputFormat;
import org.apache.hadoop.mapred.Mapper;
import org.apache.hadoop.mapred.MapperContext;
import org.apache.hadoop.mapred.MapperRunner;
import org.apache.hadoop.mapred.MapReduceBase;
import org.apache.hadoop.mapred.OutputCollector;
import org.apache.hadoop.mapred.RecordReader;
import org.apache.hadoop.mapred.Reducer;
import org.apache.hadoop.mapred.Reporter;
import org.apache.hadoop.mapred.SequenceFileInputFormat;
import org.apache.hadoop.mapred.SequenceFileOutputFormat;
import org.apache.hadoop.mapred.TextInputFormat;
import org.apache.hadoop.mapred.JobControl;
import org.apache.hadoop.mapred.lib.IdentityMapper;

public class MRExample {
    public static class LoadPages extends MapReduceBase
        implements Mapper<LongWritable, Text, Text, Text> {

        public void map(LongWritable k, Text val,
            OutputCollector<Text, Text> oc,
            Reporter reporter) throws IOException {
            // Pull the key out
            String line = val.toString();
            int firstComma = line.indexOf(',');
            String key = line.substring(0, firstComma);
            String value = line.substring(firstComma + 1);
            Text outKey = new Text(key);
            // Prepend an index to the value so we know which file
            // it came from.
            Text outVal = new Text("1" + value);
            oc.collect(outKey, outVal);
        }

        public static class LoadAndFilterUsers extends MapReduceBase
            implements Mapper<LongWritable, Text, Text, Text> {

        public void map(LongWritable k, Text val,
            OutputCollector<Text, Text> oc,
            Reporter reporter) throws IOException {
            // Pull the key out
            String line = val.toString();
            int firstComma = line.indexOf(',');
            String value = line.substring(firstComma + 1);
            int age = Integer.parseInt(value);
            if (age < 18 || age > 25) return;
            String key = line.substring(0, firstComma);
            Text outKey = new Text(key);
            // Prepend an index to the value so we know which file
            // it came from.
            Text outVal = new Text("2" + value);
            oc.collect(outKey, outVal);
        }

        public static class Join extends MapReduceBase
            implements Reducer<Text, Text, Text, Text> {

        public void reduce(Text key,
            Iterator<Text> iter,
            OutputCollector<Text, Text> oc,
            Reporter reporter) throws IOException {
            // For each value, figure out which file it's from and
            // accordingly.
            List<String> first = new ArrayList<String>();
            List<String> second = new ArrayList<String>();

            while (iter.hasNext()) {
                Text t = iter.next();
                String value = t.toString();
                if (value.charAt(0) == '1')
                    first.add(value.substring(1));
                else second.add(value.substring(1));

                reporter.setStatus("OK");
            }

            // Do the cross product and collect the values
            for (String s1 : first) {
                for (String s2 : second) {
                    String outVal = key + "," + s1 + "," + s2;
                    oc.collect(null, new Text(outVal));
                    reporter.setStatus("OK");
                }
            }
        }

        public static class LoadJoined extends MapReduceBase
            implements Mapper<Text, Text, Text, LongWritable> {

        public void map(
            Text k,
            Text val,
            OutputCollector<Text, LongWritable> oc,
            Reporter reporter) throws IOException {
            // Find the url
            String line = val.toString();
            int firstComma = line.indexOf(',');
            int secondComma = line.indexOf(',', firstComma);
            String key = line.substring(firstComma, secondComma);
            // drop the rest of the record, I don't need it anymore,
            // just pass a 1 for the combiner/reducer to sum instead.
            Text outKey = new Text(key);
            oc.collect(outKey, new LongWritable(1L));
        }

        public static class ReduceUrl extends MapReduceBase
            implements Reducer<Text, LongWritable, WritableComparable,
                Writable> {

        public void reduce(
            Text key,
            Iterator<LongWritable> iter,
            OutputCollector<WritableComparable, Writable> oc,
            Reporter reporter) throws IOException {
            // Add up all the values we see
            long sum = 0;
            while (iter.hasNext()) {
                sum += iter.next().get();
            }
            reporter.setStatus("OK");
            oc.collect(key, new LongWritable(sum));
        }

        public static class LoadClicks extends MapReduceBase
            implements Mapper<WritableComparable, Writable, LongWritable,
                Text> {

        public void map(
            WritableComparable key,
            Writable val,
            OutputCollector<LongWritable, Text> oc,
            Reporter reporter) throws IOException {
            oc.collect((LongWritable)val, (Text)key);
        }

        public static class LimitClicks extends MapReduceBase
            implements Reducer<LongWritable, Text, LongWritable, Text> {

        public void reduce(
            int count = 0;
            public void reduce(
                LongWritable key,
                Iterator<Text> iter,
                OutputCollector<LongWritable, Text> oc,
                Reporter reporter) throws IOException {
                    // Only output the first 100 records
                    while (count < 100 && iter.hasNext()) {
                        oc.collect(key, iter.next());
                        count++;
                    }
                }

                public static void main(String[] args) throws IOException {
                    JobConf lp = new JobConf(MRExample.class);
                    lp.setOutputFormat(TextInputFormat.class);
                    lp.setOutputKeyClass(Text.class);
                    lp.setOutputValueClass(Text.class);
                    lp.setMapperClass(LoadPages.class);
                    FileInputFormat.addInputPath(lp, new
                        Path("/user/gates/pages"));
                    FileOutputFormat.setOutputPath(lp,
                        new Path("/user/gates/tmp/indexed_pages"));
                    lp.setNumReduceTasks(0);
                    Job loadPages = new Job(lp);

                    JobConf lfu = new JobConf(MRExample.class);
                    lfu.setJobName("Load and Filter Users");
                    lfu.setInputFormat(TextInputFormat.class);
                    lfu.setOutputKeyClass(Text.class);
                    lfu.setOutputValueClass(Text.class);
                    lfu.setMapperClass(LoadAndFilterUsers.class);
                    FileInputFormat.addInputPath(lfu,
                        Path("/user/gates/users"));
                    FileOutputFormat.setOutputPath(lfu,
                        new Path("/user/gates/tmp/filtered_users"));
                    lfu.setNumReduceTasks(0);
                    Job loadUsers = new Job(lfu);

                    JobConf join = new JobConf(MRExample.class);
                    join.setJobName("Join Users and Pages");
                    join.setInputFormat(KeyValueTextInputFormat.class);
                    join.setOutputKeyClass(Text.class);
                    join.setOutputValueClass(Text.class);
                    join.setMapperClass(IdentityMapper.class);
                    join.setInputFormat(LoadJoined.class);
                    FileInputFormat.addInputPath(join, new
                        Path("/user/gates/tmp/indexed_pages"));
                    FileInputFormat.addInputPath(join, new
                        Path("/user/gates/tmp/filtered_users"));
                    FileOutputFormat.setOutputPath(join, new
                        Path("/user/gates/tmp/joined"));
                    join.setNumReduceTasks(50);
                    Job joinJob = new Job(join);
                    joinJob.addDependingJob(loadPages);
                    joinJob.addDependingJob(loadUsers);

                    JobConf group = new JobConf(MRExample.class);
                    group.setJobName("Group URLs");
                    group.setInputFormat(KeyValueTextInputFormat.class);
                    group.setOutputKeyClass(Text.class);
                    group.setOutputValueClass(LongWritable.class);
                    group.setOutputFormat(SequenceFileOutputFormat.class);
                    group.setMapperClass(LoadJoined.class);
                    group.setCombinerClass(ReduceUrl.class);
                    group.setReducerClass(ReduceUrl.class);
                    FileInputFormat.addInputPath(group, new
                        Path("/user/gates/tmp/joined"));
                    FileOutputFormat.setOutputPath(group, new
                        Path("/user/gates/tmp/grouped"));
                    group.setNumReduceTasks(50);
                    Job groupJob = new Job(group);
                    groupJob.addDependingJob(joinJob);

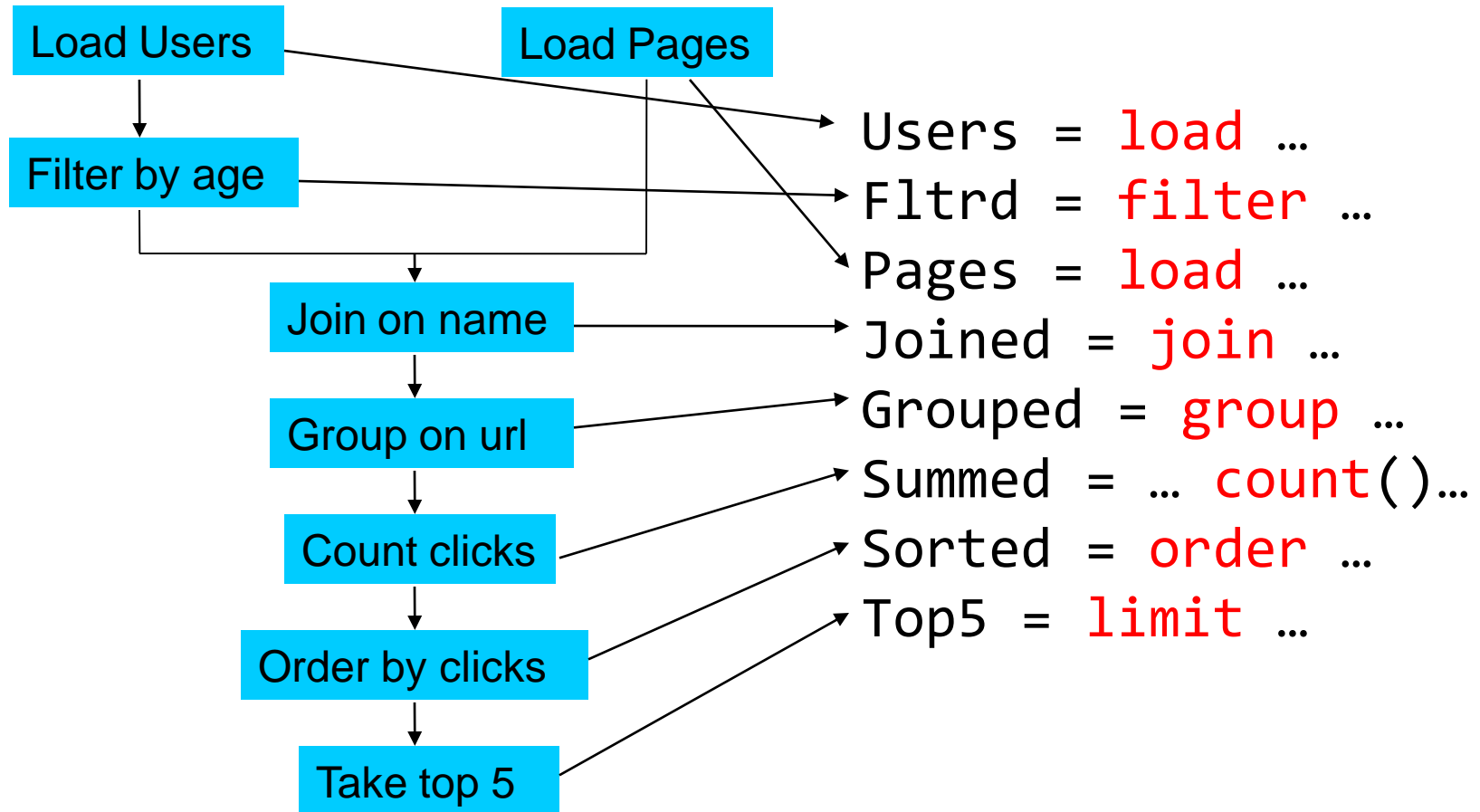
                    JobConf top100 = new JobConf(MRExample.class);
                    top100.setJobName("Top 100 sites");
                    top100.setInputFormat(SequenceFileInputFormat.class);
                    top100.setOutputKeyClass(LongWritable.class);
                    top100.setOutputValueClass(Text.class);
                    top100.setMapperClass(LoadClicks.class);
                    top100.setCombinerClass(LimitClicks.class);
                    top100.setReducerClass(LimitClicks.class);
                    FileInputFormat.addInputPath(top100, new
                        Path("/user/gates/grouped"));
                    FileOutputFormat.setOutputPath(top100, new
                        Path("/user/gates/top100sitesforusers@t25"));
                    top100.setNumReduceTasks(1);
                    Job limit = new Job(top100);
                    limit.addDependingJob(groupJob);

                    JobControl jc = new JobControl("Find top 100 sites for users
                        18 to 25");
                    jc.addJob(loadPages);
                    jc.addJob(loadUsers);
                    jc.addJob(joinJob);
                    jc.addJob(groupJob);
                    jc.addJob(limit);
                    jc.run();
                }
            }
        }
    }
}
```

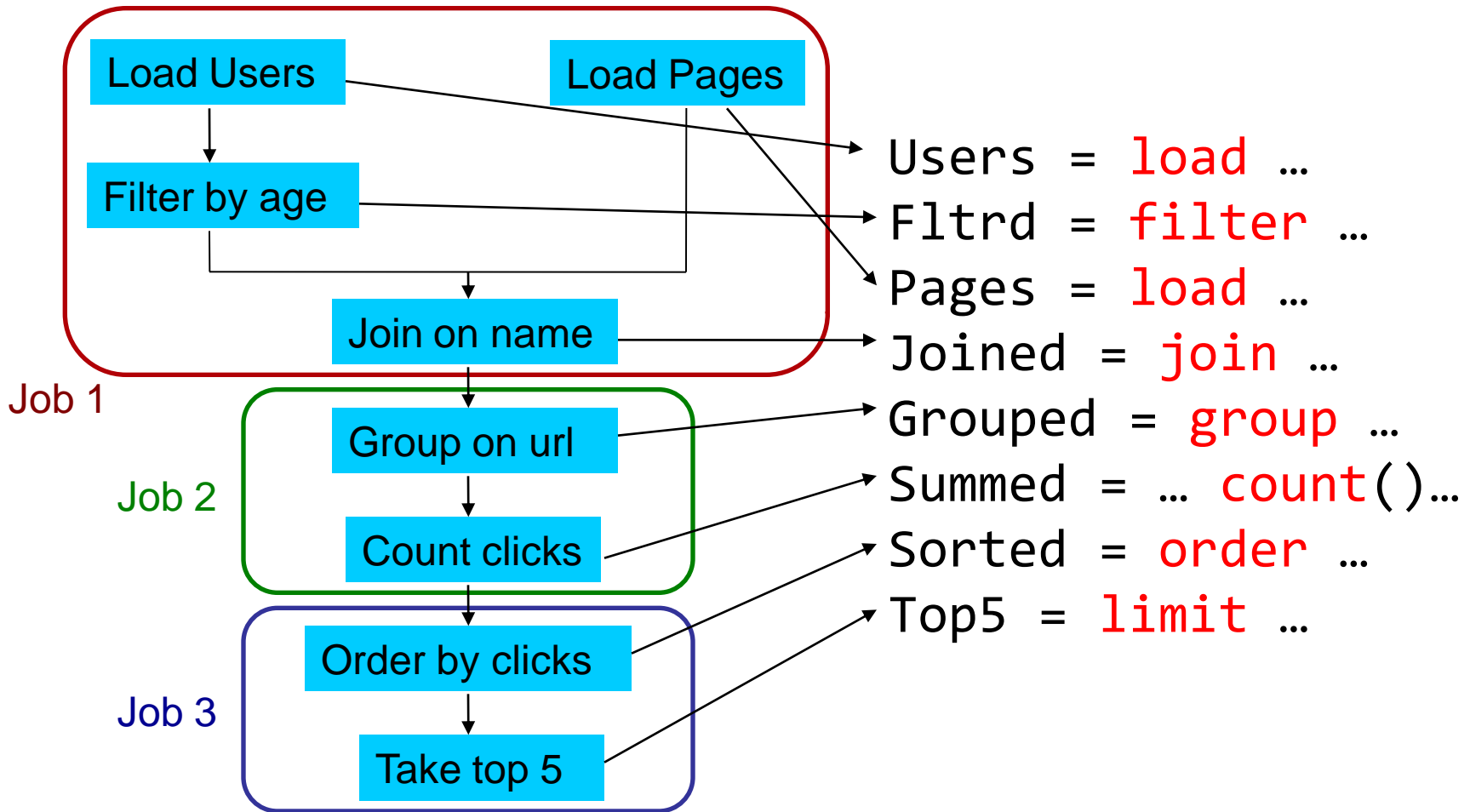
In Pig Latin

```
Users = load 'users' as (name, age);
Filtered = filter Users by age >= 18 and age <=
    25;
Pages = load 'pages' as (user, url);
Joined = join Filtered by name, Pages by user;
Grouped = group Joined by url;
Summed = foreach Grouped generate group,
    count(Joined) as clicks;
Sorted = order Summed by clicks desc;
Top5 = limit Sorted 5;
store Top5 into 'top5sites';
```


Ease of Translation



Ease of Translation



HBase

Original Slides by
Tom White
Lexeme Ltd.

HBase - What?

- Modeled on Google's Bigtable
- Row/column store
- Billions of rows/millions on columns
- Column-oriented - nulls are free
- Untyped - stores byte[]

HBase - Data Model

Row	Timestamp	Column family: animal:		Column family repairs:
		animal:type	animal:size	repairs:cost
enclosure1	t2	zebra		1000 EUR
	t1	lion	big	
enclosure2

HBase - Data Storage

Column family animal:

(enclosure1, t2, animal:type)	zebra
(enclosure1, t1, animal:size)	big
(enclosure1, t1, animal:type)	lion

Column family repairs:

(enclosure1, t1, repairs:cost)	1000 EUR
--------------------------------	----------

HBase - Code

```
HTable table = ...  
Text row = new Text("enclosure1");  
Text col1 = new Text("animal:type");  
Text col2 = new Text("animal:size");  
BatchUpdate update = new BatchUpdate(row);  
update.put(col1, "lion".getBytes("UTF-8"));  
update.put(col2, "big".getBytes("UTF-8"));  
table.commit(update);  
  
update = new BatchUpdate(row);  
update.put(col1, "zebra".getBytes("UTF-8"));  
table.commit(update);
```

HBase - Querying

- Retrieve a cell

```
Cell = table.getRow("enclosure1").getColumn("animal:type").getValue();
```

- Retrieve a row

```
RowResult = table.getRow( "enclosure1" );
```

- Scan through a range of rows

```
Scanner s = table.getScanner( new String[] { "animal:type" } );
```


Hive

Original Slides by
Matei Zaharia
UC Berkeley RAD Lab

Hive

- Developed at Facebook
- Used for majority of Facebook jobs
- “Relational database” built on Hadoop
 - Maintains list of table schemas
 - SQL-like query language (HiveQL)
 - Can call Hadoop Streaming scripts from HiveQL
 - Supports table partitioning, clustering, complex data types, some optimizations



Creating a Hive Table

```
CREATE TABLE page_views(viewTime INT, userid BIGINT,  
                          page_url STRING, referrer_url STRING,  
                          ip STRING COMMENT 'User IP address')  
COMMENT 'This is the page view table'  
PARTITIONED BY(dt STRING, country STRING)  
STORED AS SEQUENCEFILE;
```

- Partitioning breaks table into separate files for each (dt, country) pair

Ex: /hive/page_view/dt=2008-06-08,country=USA

/hive/page_view/dt=2008-06-08,country=CA

A Simple Query

- Find all page views coming from xyz.com on March 31st:

```
SELECT page_views.*  
FROM page_views  
WHERE page_views.date >= '2008-03-01'  
AND page_views.date <= '2008-03-31'  
AND page_views.referrer_url like '%xyz.com';
```

- Hive only reads partition 2008-03-01, * instead of scanning entire table

Aggregation and Joins

- Count users who visited each page by gender:

```
SELECT pv.page_url, u.gender, COUNT(DISTINCT u.id)
FROM page_views pv JOIN user u ON (pv.userid = u.id)
GROUP BY pv.page_url, u.gender
WHERE pv.date = '2008-03-03';
```

- Sample output:

page_url	gender	count(userid)
home.php	MALE	12,141,412
home.php	FEMALE	15,431,579
photo.php	MALE	23,941,451
photo.php	FEMALE	21,231,314

Using a Hadoop Streaming Mapper Script

```
SELECT TRANSFORM(page_views.userid,  
                 page_views.date)  
USING 'map_script.py'  
AS dt, uid CLUSTER BY dt  
FROM page_views;
```

Storm

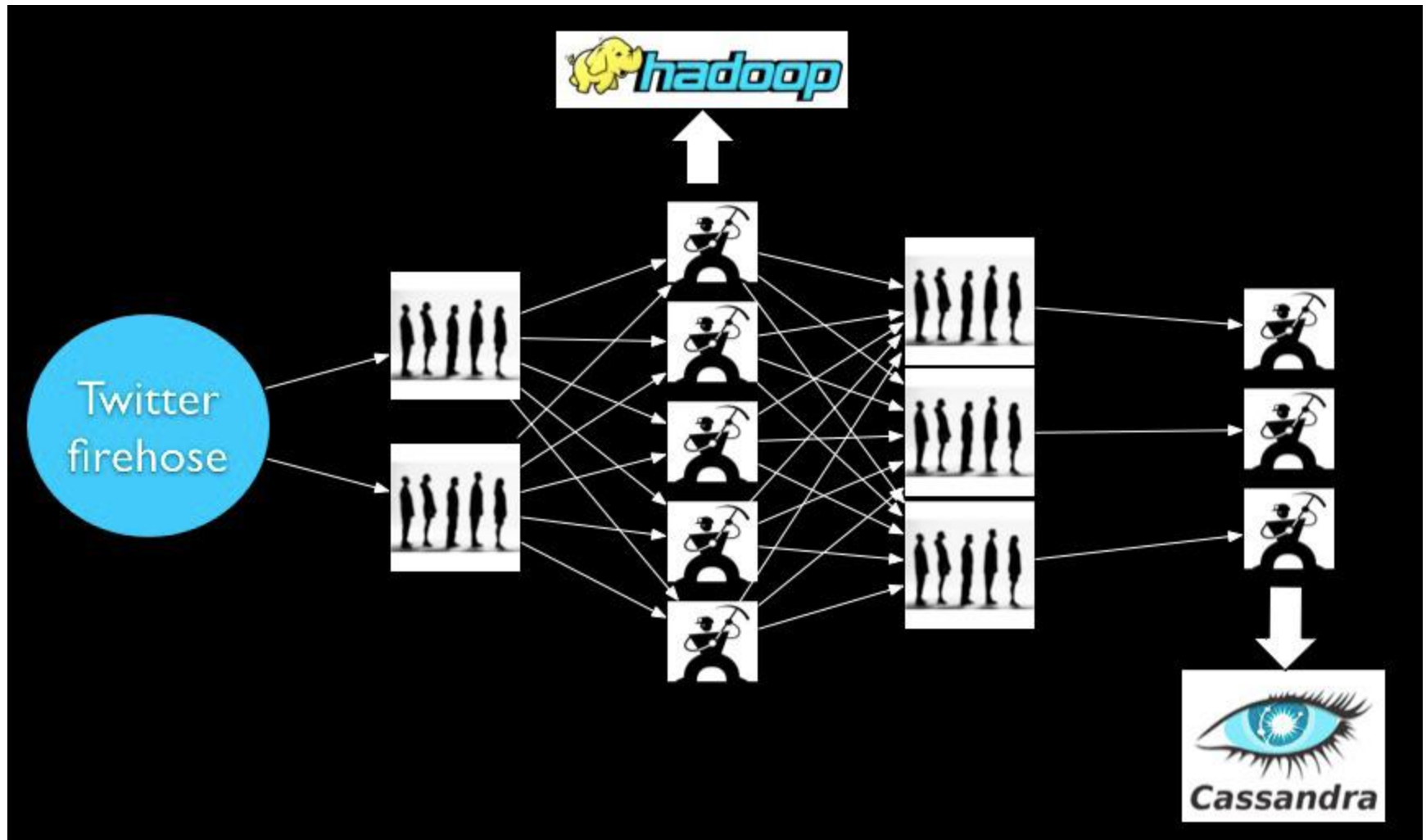
Original Slides by
Nathan Marz
Twitter

Storm

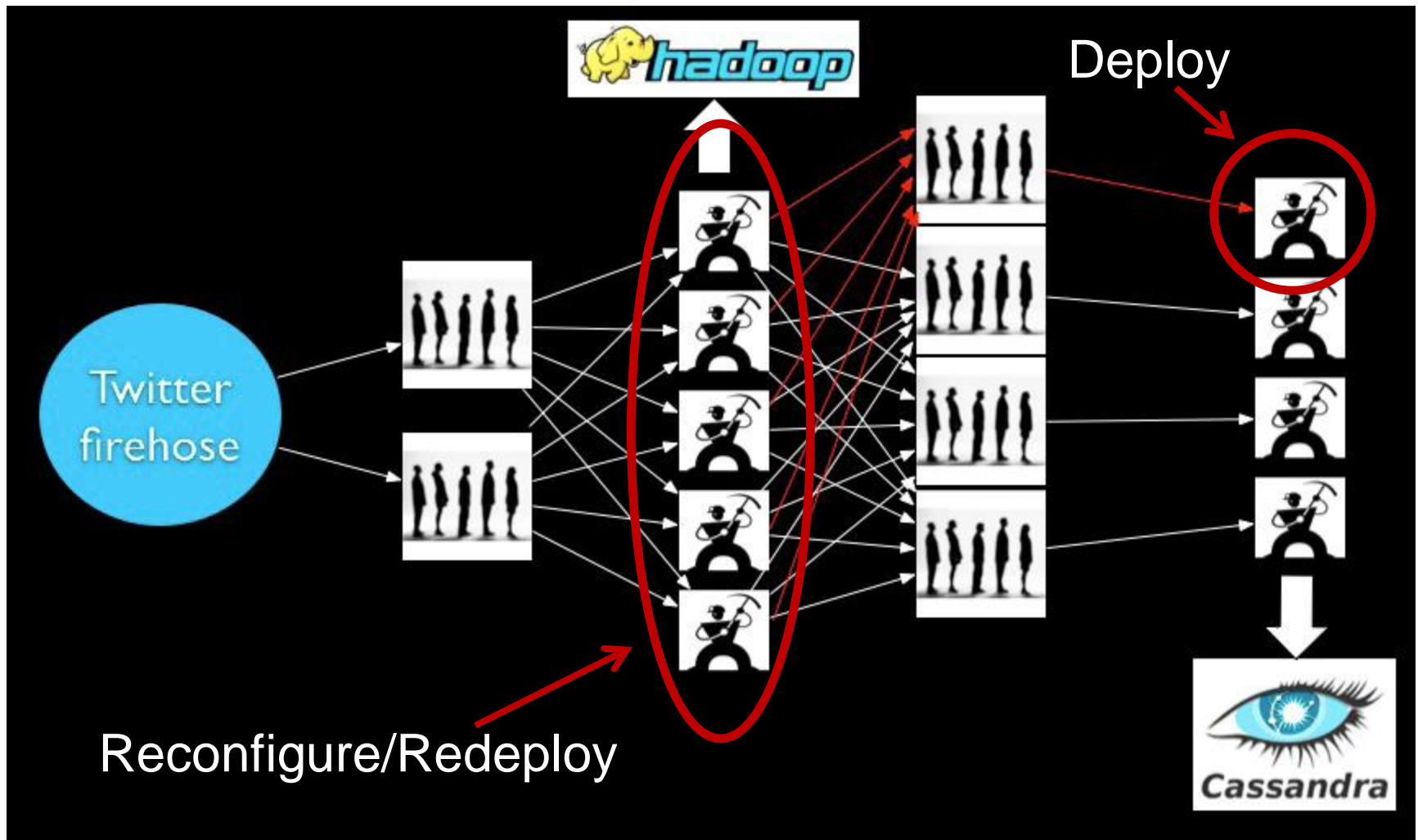
- Developed by BackType which was acquired by Twitter
- Lots of tools for data (i.e. batch) processing
 - Hadoop, Pig, HBase, Hive, ...
- None of them are realtime systems which is becoming a real requirement for businesses
- Storm provides realtime computation
 - Scalable
 - Guarantees no data loss
 - Extremely robust and fault-tolerant
 - Programming language agnostic



Before Storm



Before Storm – Adding a worker



Problems

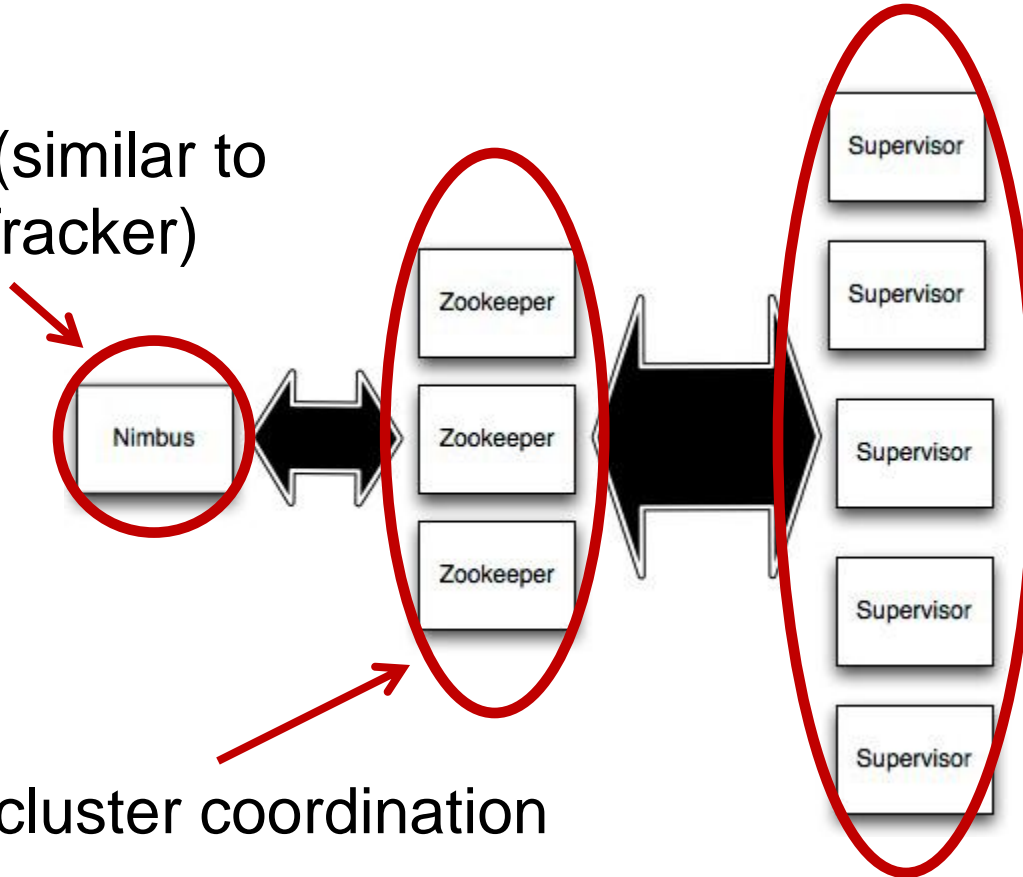
- Scaling is painful
- Poor fault-tolerance
- Coding is tedious

What we want

- Guaranteed data processing
- Horizontal scalability
- Fault-tolerance
- No intermediate message brokers!
- Higher level abstraction than message passing
- “Just works” !!

Storm Cluster

Master node (similar to Hadoop JobTracker)



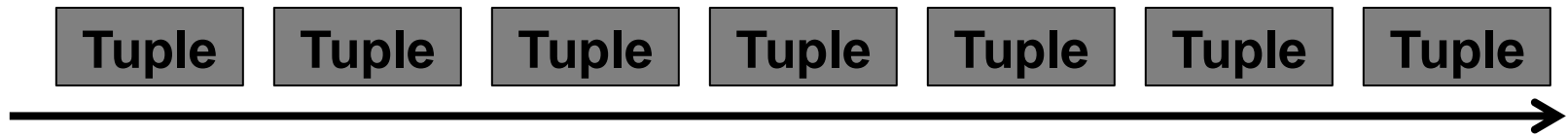
Used for cluster coordination

Run worker processes

Concepts

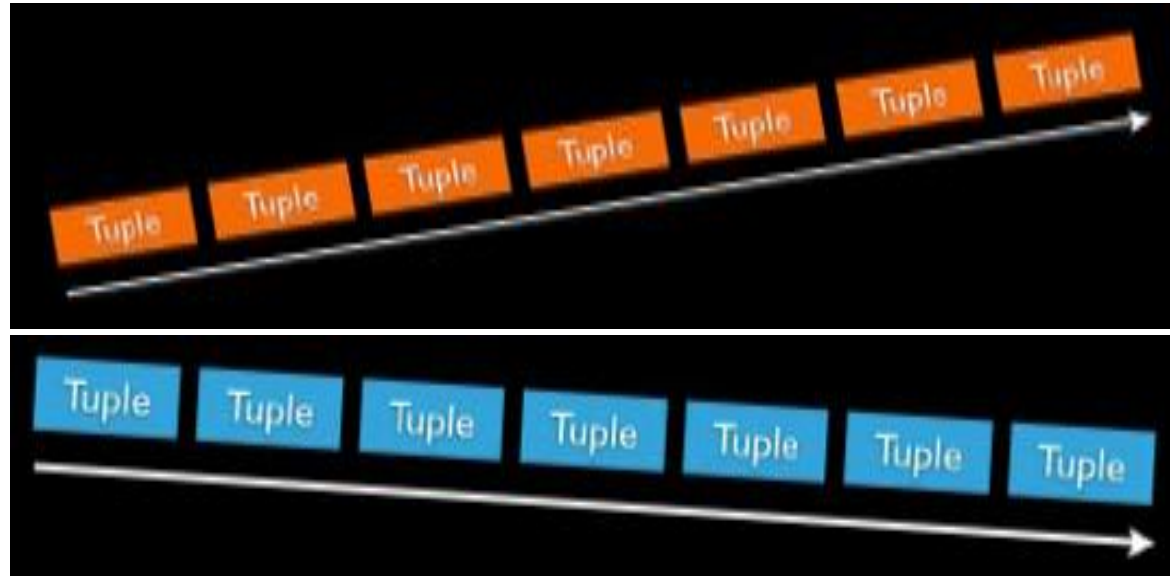
- Streams
- Spouts
- Bolts
- Topologies

Streams



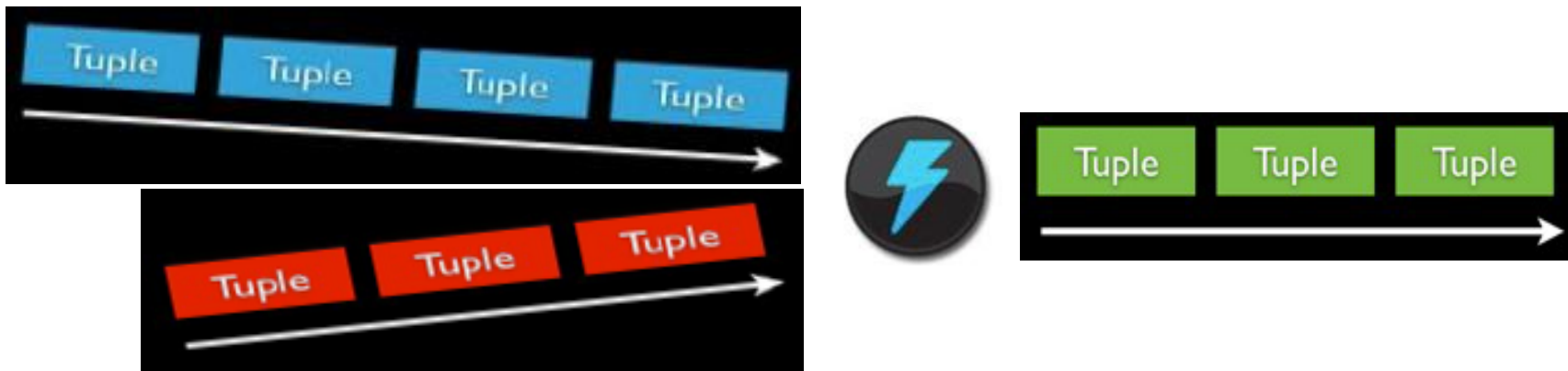
Unbounded sequence of tuples

Spouts



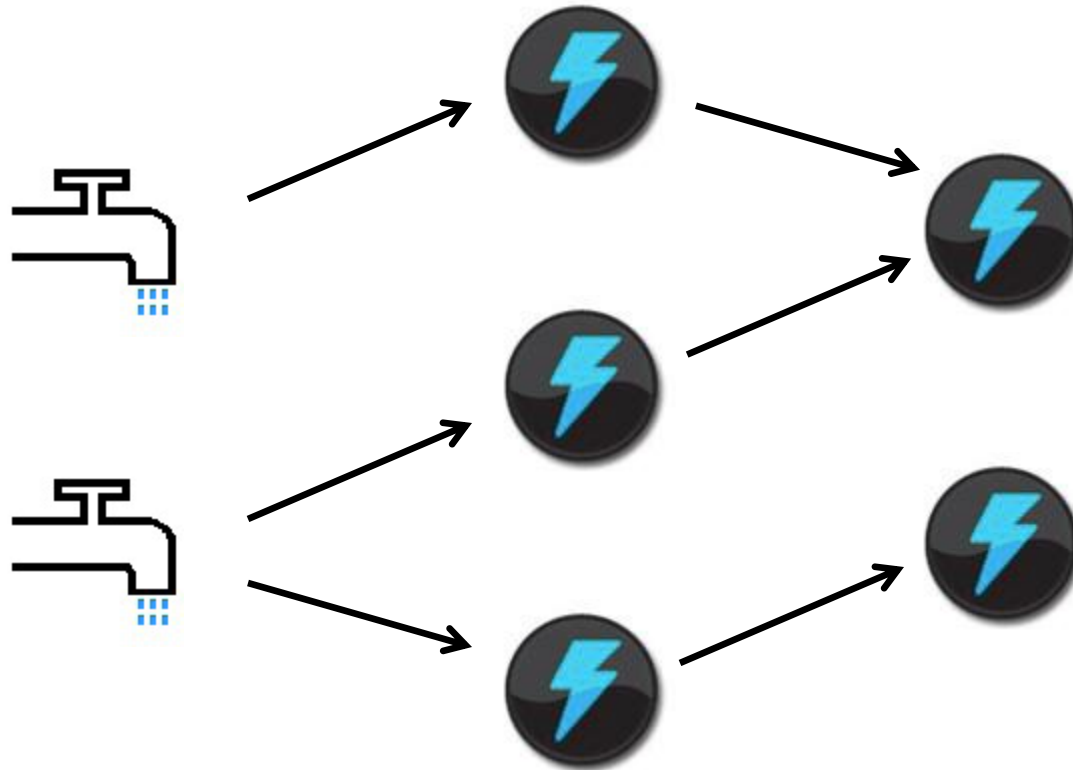
Source of streams

Bolts



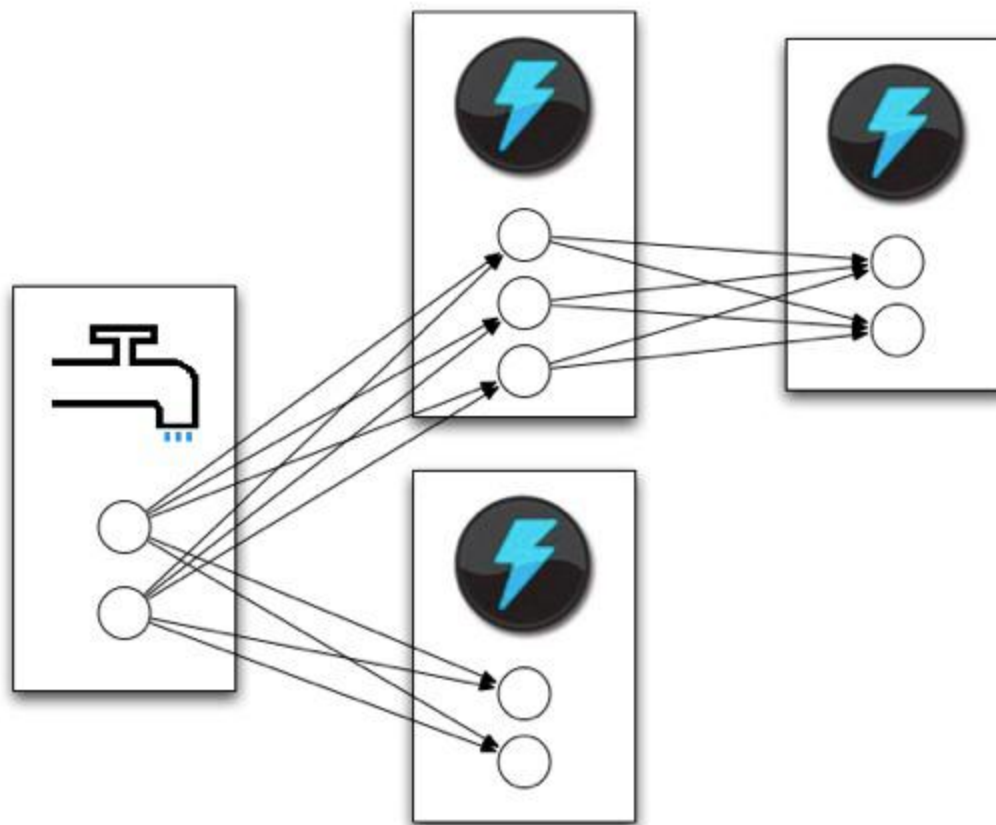
Processes input streams and produces new streams:
Can implement functions such as filters, aggregation, join, etc

Topology



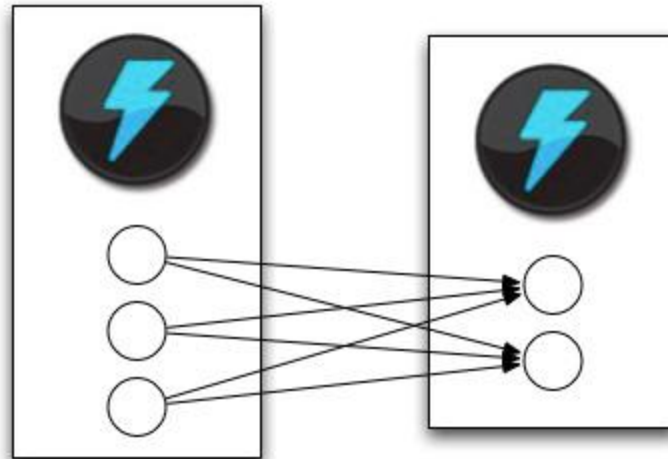
Network of spouts and bolts

Topology



Spouts and bolts execute as many tasks across the cluster

Stream Grouping



When a tuple is emitted which task does it go to?

Stream Grouping

- **Shuffle grouping:** pick a random task
- **Fields grouping:** consistent hashing on a subset of tuple fields
- **All grouping:** send to all tasks
- **Global grouping:** pick task with lowest id